

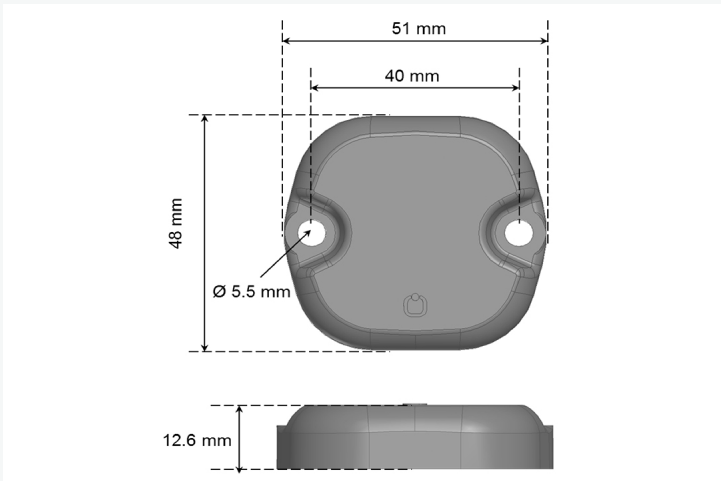
## [ Products ] you can identify with



### Physical Specifications

<b>Material</b>	ABS
<b>Size</b>	51 x 48 x 12.6 (+/- 1.0) mm, 2.01 x 1.9 x 0.50 (+/- 0.04) in
<b>Weight (g)</b>	25.6
<b>Attachment</b>	Mechanical (std), premium foam (option)

### Dimensions



Measurements shown in mm

## Exo 750

Omni-ID Exo 750 is a long range durable RFID tag optimized for attachment to metal assets. Designed with a broad read angle and with a global RF response, Exo 750 is compatible with handheld and portal use cases, anywhere on the globe. Featuring premium materials, Omni-ID Exo 750 offers market leading consistency and reliability in outdoor and industrial applications.



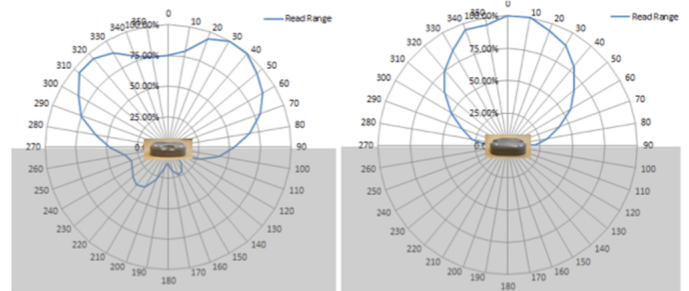
### RF Specifications

<b>Radio Protocol</b>	EPC Class 1 Gen2v2
<b>Frequency Range</b>	860 - 930 (GS)
<b>Read Range - Fixed Reader</b>	Up to 7m (EU), Up to 11m (US)
<b>Read Range - Handheld Reader</b>	Up to 3.5m (EU), Up to 5m (US)
<b>On Metal or Balanced</b>	Optimized for metal
<b>Material Compatibility</b>	Metal
<b>IC Type (Chip)</b>	Impinj Monza 4QT
<b>Memory</b>	EPC - 128 bits User - 512 bits Unique TID - 48 bits

EPC and User memory are reprogrammable. UTID is locked at point of manufacture by IC manufacturer.

### Radiation Patterns

#### On Metal



## [ Products ] you can identify with



Based on a rugged construction, square footprint and moderate durability, the Exo 750 is ideally suited to RTI applications in:

- \* Automotive supply chain.
- \* Logistics and Postal.
- \* Manufacturing tote tracking.

### Certifications

CE, RoHS, Ex, ATEX/IECEX certified (option), US&Canada (C1D1/D2) certified (option)



### Environmental Specifications

<b>Operating Temperature</b>	-40°C to +85°C
<b>Survivability</b>	-40°C to +85°C
<b>IP Rating</b>	IP68
<b>Shock &amp; Vibration Tolerance</b>	MIL-STD-810 G

### Ordering Information

<b>Warranty</b>	3 years
<b>Product Options</b>	:303 (Customization) :304 (ATEX/IECEX certified) :307 (US&Canada (C1D1/D2) certified) :508 (Premium foam) :701 (Standard Service Bureau)
<b>Part Number / Order Codes / Order Numbers</b>	078 - GS

For product or technology inquiries email: [sales@omni-id.com](mailto:sales@omni-id.com).  
Visit [omni-id.com](http://omni-id.com) to learn more about the complete line of **Omni-ID RFID** products